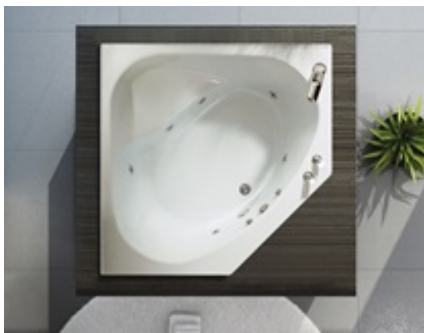


# MAAX SUBMITTAL SPECIFICATIONS

## Tandem 5454

**MODEL NUMBER 100875**

DIMENSIONS: 54" x 54" x 18" Acrylic



### STANDARD FEATURES

- Corner shape bathtub
- Drop-in or corner installation (optional nailing flange available)
- Textured floor
- Center drain
- Apron available

### OPTIONS


- Acrylic apron
- One chromatherapy light
- Water heater assembly (factory installed)
- Metal trim kit for whirlpool and combined systems
- One 6-in. acrylic grab bar
- Metal trim kit for Air Push Control


### UNIQUE FEATURES

- None

### SYSTEMS

 MAAX Professional Whirlpool

 Aeroeffect **DOOR**

 Combined Whirlpool/Aeroeffect

### SELECTION

Combine with MAAX's complete shower door offering visit [www.maax.com](http://www.maax.com)

### CERTIFICATIONS

Maax products adhere to one or more of the following certifications:



Project : .....

Contractor : .....

MAAX Representative : ..... Tel : .....

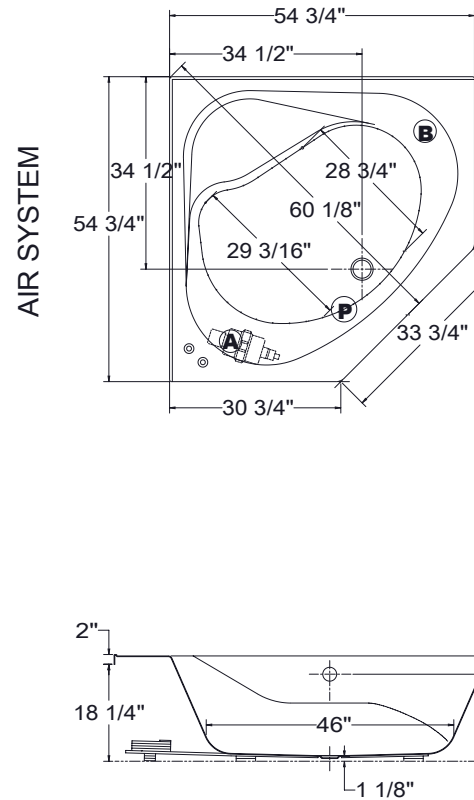
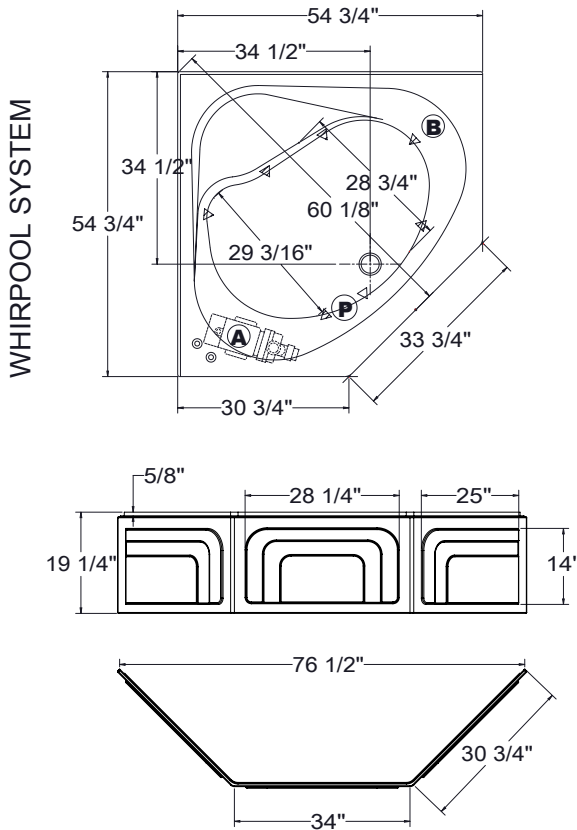
Date : .....

# MAAX SUBMITTAL SPECIFICATIONS

## Tandem 5454

MODEL NUMBER 100875

### TECHNICAL DRAWINGS



- (A)** : Standard blower and/or pump location
- (B)** : Optional blower and/or pump location
- (P)** : Optional grab bar positioning
- ▲ : Indicates Whirpool jets positioning
- : Indicates airjets positioning
- △ : Indicates suction positioning

All dimensions are approximate. Structure measurements must be verified against the unit to ensure proper fit.